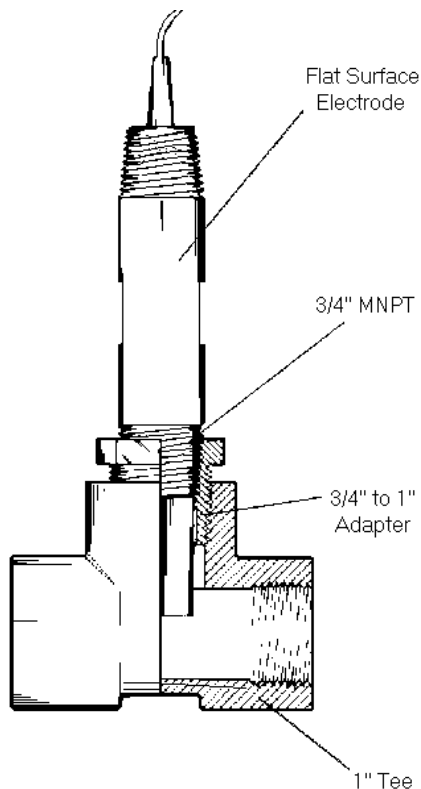


Self Cleaning Flat Surface Electrodes



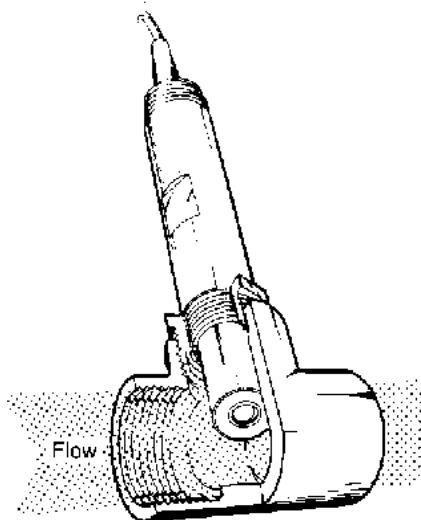
This family of sensors is specially designed for self-cleaning. The sensing end has a flat surface pH membrane or ORP sensor. This provides long life due to its rugged construction. The flat surface is beneficial because it does not collect suspended solids, and its self-cleaning ability by the flow of the process over the electrode provides a clean electrode surface.

The reference is gel-filled and requires no pressurization. The annular reference junction is of special design, allowing operation in processes that would normally foul a standard combination electrode reference. The electrodes are compatible with nearly all available pH and ORP instrumentation. They may be ordered with an optional integral temperature compensator. (Refer to temperature compensator selection chart.)

The electrode housing is a 3/4" MNPT fitting. Probe insertion is 2" from the threaded end, 3/4" diameter with standard pressure up to 100 PSI (700kPa).

The unique design features are:-

- **Fast response.**
- **Flat sensing surface.**
- **Sealed gel-filled reference.**
- **Large annular porous polyethylene reference junction.**
- **Compatible with most pH analyzers.**



pPhoenix Electrode Sales CC ! P.O. Box 5487 ! Cresta ! 2118
Tel. (011) 792 1210 ! Fax. (011) 793 6863 ! e-mail. sales@ph.co.za



Part Numbers & Specifications

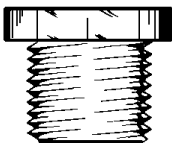
pH Electrodes

Part Number	Body Material	Reference	Temperature Range	Glass	pH Range
1922557	CPVC	single junction	0 - 80EC	GX-1	0 - 12
1962557	Kynar	single junction	0 - 100EC	GX-1	0 - 12
1922757	CPVC	double junction	0 - 80EC	GX-1	0 - 12
1962757	Kynar	double junction	0 - 100EC	GX-1	0 - 12

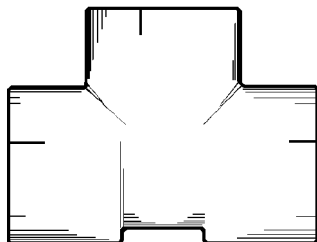
Also available with other glass types.

ORP Electrodes

Part Number	Body Material	Reference	Temperature Range	Sensor Type	Output Range
1929657	CPVC	single junction	0 - 80EC	platinum	±1000mV
1969657	Kynar	single junction	0 - 100EC	platinum	±1000mV
1929857	CPVC	double junction	0 - 80EC	platinum	±1000mV
1969857	Kynar	double junction	0 - 100EC	platinum	±1000mV
1968857	Kynar	double junction	0 - 100EC	gold	±1000mV



3/4" to 1"
Adapter



1" Tee

Electrode Tee with 3/4" Adapter

Part Number	Body Material	Size
1021011	CPVC	1" NPT
1061014	Kynar	1" NPT

Standard lead length is 10ft. (3m.) With a BNC connector. Special lead lengths and connectors may be ordered as required.



pPhoenix Electrode Sales CC ! P.O. Box 5487 ! Cresta ! 2118
Tel. (011) 792 1210 ! Fax. (011) 793 6863 ! e-mail. sales@ph.co.za