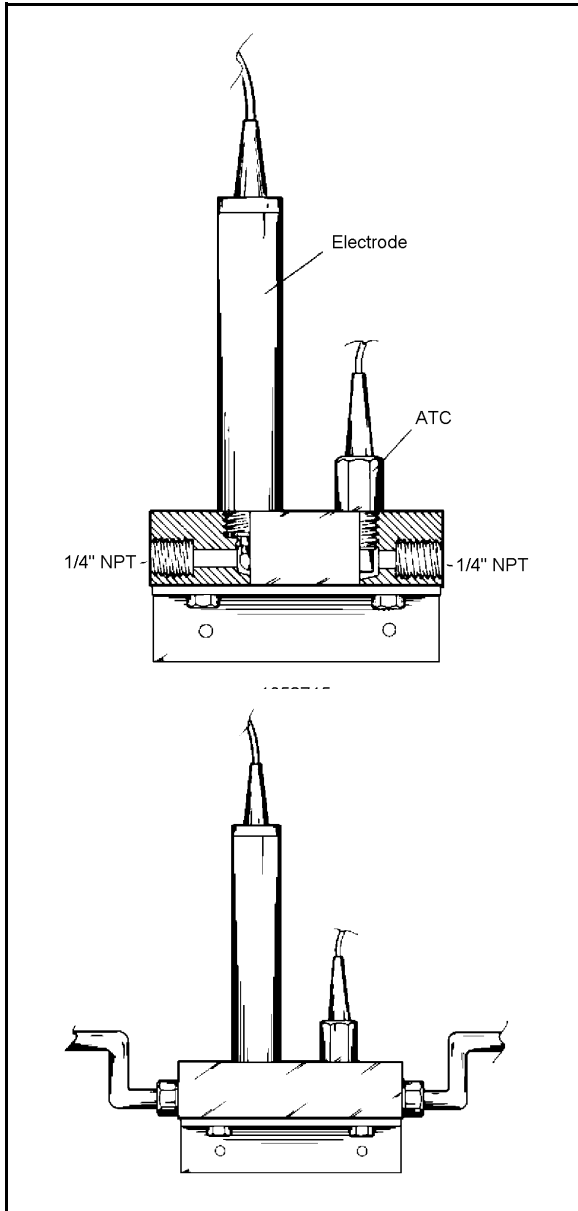


HIGH PURITY WATER pH SENSOR



This high purity water pH sensor is designed for continuous in-stream pH measurement of pure and ultra-pure water. The unique design features are:

- ! A special combination electrode design using a concentric measuring and reference electrode that minimizes streaming potential effects.
- ! A grounded stainless steel electrode flow chamber and electrode which protects against noise pick-up, body capacitance, streaming potentials and CO₂ contamination.
- ! A low sample flow rate (100 to 150 ml per minute) minimizes streaming potentials and helps stabilize junction potentials.
- ! Solution temperature compensation.
- ! Differential pre-amplifier with solution ground provides output signal isolation to prevent external ground loop problems.

Applications for the high purity sensor assemblies are:

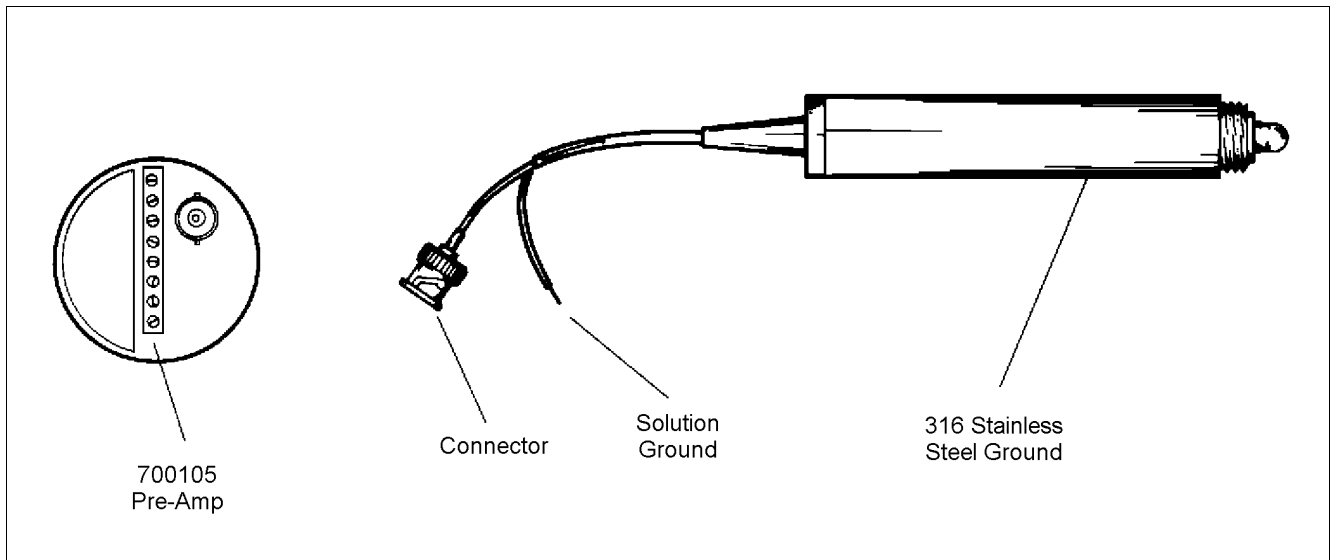
- ! Boiler feed water in power generation plants.
- ! Condensate return in power generation plants.
- ! Demineralized water, de-ionized water system.
- ! Semiconductor manufacturing.
- ! Pharmaceutical industries.

SPECIFICATIONS

pH range:	0-12
Pressure:	60 PSI (400kPa)
Temperature range :	0 to 80°C
Flow rate:	100 to 150 ml/minute
Flow chamber:	316 stainless steel
Electrode body:	316 stainless steel
Inlet and outlet size:	¼" MNPT



pPhoenix Electrode Sales CC ! P.O. Box 5487 ! Cresta ! 2118
Tel. (011) 792 1210 ! Fax. (011) 793 6863 ! e-mail. sales@ph.co.za



ORDERING INFORMATION

Part Number	Description
1052715	Complete assembly, 316 stainless steel flow cell with pH electrode. Specify electrode cable length, connector, and ATC value in suffix of part number
1051000	316 stainless steel flow cell only (order electrode & ATC separately).
1052701	Replacement pH electrode for 1052715 and 1051000.
1052702	Replacement temperature compensator. Specify ATC value in suffix of part number.
7000105	Optional differential pre-amplifier with solution ground. Temperature compensation is a 3000 Ohm V01 option.



pHoenix Electrode Sales CC ! P.O. Box 5487 ! Cresta ! 2118
 Tel. (011) 792 1210 ! Fax. (011) 793 6863 ! e-mail. sales@ph.co.za